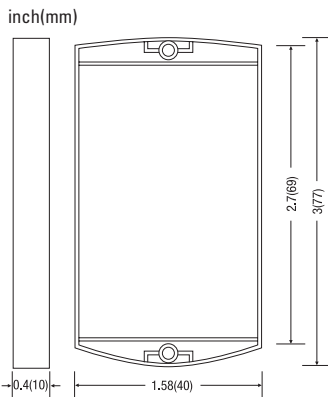


## Proximity Reader OEM Module

# RFM50



RFM50



## KEY Features

- 125KHz Proximity Card Reader
- RFM50: PSK Modulation
- RFM50A: ASK Modulation
- Read Range: 4 inch (10cm)
- User format available
- 26bit Wiegand (default) / ABA Track II and RS232 (optional) Output Format
- Small and Compact Design
- Beeper and LED are not embedded in the Module
- Solid Epoxy Potted
- Waterproof
- Warranty: Life Time
- Options: Supervisory Signal
- Compatible Controller: iCON100, iTDC, Third Party Controller, Standalone Controller

## Specifications

Model		RFM50
Read Range	Passive Type	IDK50 / IMC125: Up to 2 inch (5cm) IDC80 / IDC170: Up to 4 inch (10cm)
	Active Type	IDA150 / IDA200 compatible
Reading Time (Card)		30ms.
Power / Current		DC12V / Max.180mA
Input Port		2ea (External LED Control, External Buzzer Control)
Output Format		26bit Wiegand (default) / RS232 and ABA Track II (optional)
Operating Temperature		-35° to +65° C ( -31° to +149° F )
Operating Humidity		10% to 90% relative humidity non-condensing
Color		Black
Material		Polycarbonate
Dimension (W x H x T)		1.58" x 3" x 0.4" (40mm x 77mm x 10mm)
Weight		45g (0.1lbs)
Certification		UL, FCC, CE, MIC

Star

